

Avigilon Unity H6A Dual Head Camera



Say goodbye to blind spots in stairwells, hallways and corners with the Avigilon Unity H6A Dual Head camera for bidirectional coverage. Customize your field of view with varifocal lenses, and have 24/7 visibility with built-in IR. Plus, AI-powered video and audio keep you ahead of security threats.



AI-Powered Video Analytics

Stay on top of what's happening at your site with built-in video analytics to alert you on unusual crowds, activity and potentially critical events.



Audio Analytics & Recording

Expand your real-time awareness with audio alerts for gunshots¹, breaking glass, screeching tires and more. Have the option to record audio evidence when you need it.



Custom Field of View & Zoom

Get the perfect perspective with the camera's varifocal lenses that let you customize the field of view. Zoom into a scene for a closer look without losing evidentiary detail.



Two Cameras in One

Lower your total cost of ownership with one H6A Dual Head that can do the job of two cameras, requiring only one VMS license and cable.

¹Separate license required.



24/7 Visibility

Get incredible image detail and situational awareness with 6, 10 and 16MP total resolutions, plus visibility in low-light areas with built-in IR illumination.



Secure and Compliant

Trust that your data is well-protected with advanced cybersecurity features such as an onboard FIPS 140-3 compliant TPM and Secure Boot.

For more information, visit [avigilon.com/security-cameras/h6a-dual-head](https://www.avigilon.com/security-cameras/h6a-dual-head).



MOTOROLA SOLUTIONS



Compliant with NDAA 2019
Section 889

Specifications

Image Performance		2 x 3.0 MP	2 x 5.0 MP	2 x 8.0 MP
Image Sensor		1/2.8" progressive scan CMOS		
Imaging Area (H x V)		5.18 mm x 3.89 mm 0.204" x 0.153"		
Aspect Ratio		4:3	16:9	
Dynamic Range	WDR Off	Up to 80 dB		
	WDR On Measured According to IEC 62676 Part 5	Up to 105 dB		
	WDR On	Up to 120 dB		
Camera Operating Mode		Full Feature / No Video Analytics / High Framerate		
Max Frame Rate		(50 Hz/60 Hz): 25 fps/30 fps in High Framerate Mode ¹ , otherwise 20fps/20fps		
Streaming Resolutions	Primary	(4:3) 2048x1536, 1792x134 (16:9) 2048x1152, 1920x1080	(4:3) 2592x1944, 2048x1536 (16:9) 2560x1440, 1920x1080	(4:3) 2880x2160, 2560x1920 (16:9) 3840x2160, 3200x1800, 3072x1728, 1920x1080
	Secondary	(4:3) 1760x1320, 1600x1200, 1280x960, 960x720, 800x600, 640x480, 512x384, 384x288 (16:9) 1920x1080, 1280x720, 768x432, 640x360, 512x288	(4:3) 1440x1080, 1280x960, 800x600, 640x480, 512x384, 384x288 (16:9) 1920x1080, 1280x720, 768x432, 640x360, 512x288	(4:3) 1920x1440, 1600x1200, 1280x960, 800x600, 640x480, 512x384, 384x288 (16:9) 1920x1080, 1280x720, 768x432, 640x360, 512x288
	Tertiary	(4:3) 640x480, 384x288 (16:9) 640x360	(4:3) 512x384, 384x288 (16:9) 640x360	(4:3) 512x384 (16:9) 640x360
Max Image Rate		(50 Hz/60 Hz): 50 fps/60 fps in High Frame Rate Mode*, otherwise 25 fps/30 fps		(50 Hz/60 Hz): 25 fps/30 fps
Bandwidth Management		HDSM SmartCodec technology; Idle scene mode		
3D Noise Reduction Filter		Yes		
Signal-to-Noise Ratio(SNR)		> 50 dB		
Digital Defog		Adjustable/Off		
¹ Analytics are disabled in High Frame Rate mode.				
Lens and IR Illumination				
Lens focal length (EFL)		Wide: 3.24 mm Tele 7.33 mm		
IR Illumination (high power 850 mm LEDs)		30 m		



Lens and IR Illumination		
Minimum Illumination Without IR	3 MP	Monochrome: 0 lux in monochrome mode Color: 0.005 lux in monochrome mode; 0.02 lux in color mode
	5 MP	Monochrome: 0 lux in monochrome mode Color: 0.005 lux in monochrome mode; 0.02 lux in color mode
	8 MP	Monochrome: 0 lux in monochrome mode Color: 0.005 lux in monochrome mode; 0.05 lux in color mode
Horizontal Angle of View Based on Aspect Ratio	3 MP	(4:3) Wide: 96°, Tele: 40°
	5 MP	(4:3) Wide: 96°, Tele: 40°
	8 MP	(16:9) Wide: 104°, Tele: 43°
Vertical Angle of View Based on Aspect Ratio	3 MP	(4:3) Wide: 70°, Tele: 30°
	5 MP	(4:3) Wide: 70°, Tele: 30°
	8 MP	(16:9) Wide: 55°, Tele: 24°
Max Aperture	F1.6	Max Aperture
Lens Control	Remote Zoom and Focus, Autofocus, IR Cut Filter	Lens Control

Image Control	
Image Compression Method	H.264 HDSM SmartCodec, H.265 HDSM SmartCodec, Motion JPEG
Streaming	Multi-stream H.264, Multi-stream H.265, Motion JPEG
Electronic Shutter Control	Automatic, Manual (1/7.5 to 1/30000 sec)
Day/Night Control	Automatic, Color, Monochrome
Flicker Control	50 Hz, 60 Hz
Iris Control	No Iris Control
White Balance	Automatic, Manual
Backlight Compensation	Adjustable
Image Rotation	0°, 90°, 180°, 270°
Privacy Zones	Up to 64 zones
Motion Detection	Pixel motion: Selectable sensitivity and threshold. Classified object detection
Camera Tamper Detection	Yes



Network	
Network	100BASE-TX
Cabling Type	CAT5e
Connector	RJ-45
API	ONVIF® compliance Profile S, Profile T, Profile M, and Profile G (www.onvif.org)
Security	Password protection, HTTPS encryption, digest authentication, WS authentication, user access log, 802.1x port based authentication, FIPS 140-2 L1, onboard FIPS 140-2 L3 certified TPM, Secure Boot, Signed and encrypted firmware, CC EAL6+
Protocols	IPv6, IPv4, HTTP, HTTPS, SOAP, DNS, NTP, RTSP, RTCP, RTP, TCP, UDP, IGMPv3, ICMP, DHCP, Zeroconf, HSTS, FTP
Streaming Protocols	RTP/UDP, RTP/UDP multicast, RTP/RTSP/TCP, RTP/RTSP/HTTP/TCP, RTP/RTSP/HTTPS/TCP, HTTP
Device Management Protocols	SNMP v2c, SNMP v3

Peripherals

Onboard Storage ²	Two microSD/microSDHC/microSDXC slots – video speed class card required. Class V10 or better recommended.
USB Port	USB 2.0

²Maximum tested capacity is 1.5 TB.

Auxiliary I/O

Audio Input/Output	Line level audio I/O
Audio Compression Method	G.711 PCM 8 kHz, Opus
External I/O Terminal	1x Relay In, 1x Relay Out
Microphone	Built-in microphone for audio analytics, with physical disable switch

Mechanical		Direct Surface Mount	Surface Mount with Junction Box	Pendant Mount with NPT Adapter
Dimensions (L x W x H)	Camera Assembly	218 x 125 x 89 mm	250 x 157 x 126 mm	236 x 143 x 151 mm
	Accessory Only	N/A	250 x 157 x 50 mm	236 x 143 x 75 mm
Camera Weight		1.42 Kg	2.43 Kg	1.74 Kg
Dome Bubble		Polycarbonate		
Body		Polycarbonate and aluminum		
Finish		Cast, powder coat grey (Pantone 427C)		
Adjustment Range		Pan: 180°, Azimuth: 360°, Tilt: 30° – 95° tilt (recommended), 10° – 95° tilt (maximum)		



Electrical		
Power Consumption		25.4W
Power Source	PoE	IEEE 802.3af Class 3
	PoE+	IEEE 802.3at Class 4
RTC Backup Battery		3V manganese lithium
Memory		4GB RAM 4GB Flash
Environmental		
Operating Temperature		-40 °C to +65 °C (-40 °F to 149 °F) with IEEE 802.3at Class 4 (25.5W PoE+) with ambient convection -30 °C to +65 °C (-22 °F to 149 °F) with IEEE 802.3af Class 3 (13W PoE) with ambient convection
IR Illuminator Behavior	PoE	The IR illuminator operates at 40% power regardless of temperature
	PoE+	The IR illuminator operates at 50% power if the temperature is below -30°C (-22°F) or above 60 °C (140 °F)
Startup Temperature		-40°C to +65 °C (-40 °F to 149 °F) with IEEE 802.3at Class 4 (25.5W PoE+) with ambient convection -30 °C to +65 °C (-22 °F to 149 °F) with IEEE 802.3af Class 3 (13W PoE) with ambient convection
Absolute Maximum Temperature		74°C (165°F) per NEMA TS2 (Temp.) para 2.2.7.2 - 2.2.7.7
Storage Temperature		-10°C to +70°C (14°F to 158°F)
Humidity		0 - 95% condensing
Certifications		
Certifications/Directives		UL, cUL, CE, ROHS, RCM, UKCA, NOM, KC, BIS, BSMI
Safety		UL 62368-1, CSA 62368-1, IEC/EN 62368-1 IEC 62471
Environmental		IEC 60529 IP66, IP67, IP68 (1.8m depth for 1 hour) ISO 20653 IPX9K IEC/EN 62262 Impact (IK10) NEMA 4X IEC 60068-2-6 Product Vibration IEC 60068-2-27 Product Shock NEMA TS2 paragraph 2.2.7-2.2.9
Electromagnetic Emissions		FCC Part 15 Subpart B (Class B) ICES-003 (Class B) EN 55032 (Class B) EN 61000-6-3 EN 61000-3-2 EN 61000-3-3
Electromagnetic Immunity		EN 55035 EN 61000-6-1 EN 50121-4



Certifications	
	EN 50130-4
Warranty	Limited 5-year Warranty
Supported Video Analytics ³ Events	
Objects in Area	The event is triggered when the selected object type and/or subtype moves into the region of interest.
Object Loitering	The event is triggered when the selected object type and/or subtype stays within the region of interest for an extended amount of time.
Objects Crossing Beam	The event is triggered when the specified number of objects and/or subtypes have crossed the directional beam that is configured over the camera's field of view. The beam can be unidirectional or bidirectional.
Object Appears or Enters Area	The event is triggered by each object type and/or subtype that enters the region of interest. This event can be used to count objects.
Object not Present in Area	The event is triggered when no objects are present in the region of interest.
Objects Enter Area	The event is triggered when the specified number of object type and/or subtype have entered the region of interest.
Objects Leave Area	The event is triggered when the specified number of object type and/or subtype have left the region of interest.
Object Stops in Area	The event is triggered when an object type and/or subtype in a region of interest stops moving for the specified threshold time.
Direction Violated	The event is triggered when an object type and/or subtype moves in the prohibited direction of travel.
Smart Motion Rule	Events are sent for person (including crawling) and vehicle present, against default-unchangeable parameters
Tamper Detection	The event is triggered when the scene unexpectedly changes.
Crowd Size	This event is triggered when the number of people is exceeded over a configurable duration.
Unusual Crowd Growth	This event is triggered when a crowd size grows unexpectedly.
Unusual Crowd Size	This event is triggered when an unusual crowd size is detected
³ Analytics capabilities, including detection range, may vary by camera line. See the Avigilon Self-Learning Analytics Design Guide for details.	
Supported Classified Object Types	
Object Types in Outdoor Mode	Vehicle, sub-types: Car, Pickup Truck, Large TruckVan, Bicycle, Motorcycle, Bus Person
Object Types in Indoor Mode	Person
Teach by Example	
Teach by Example	Yes, when used with Avigilon Control Center™ or Avigilon Unity Video
Object Types in Indoor Mode	Person
Supported Audio Analytics Events	
Scream	Up to 15m (50ft)



Supported Audio Analytics Events	
Glass Break	Up to 15m (50ft)
Car Alarm	Up to 30m (100ft)
Smoke Alarm	Up to 15m (50ft)
Dog Bark	Up to 15m (50ft)
Tire Screech ⁴	Up to 15m (50ft)
Loud Noise	Up to 40m (130ft)
Ultrasonic Panic Alarm ⁵	Up to 40m (130ft)

⁴ The detection range is limited to up to 8 meters in loud environments.

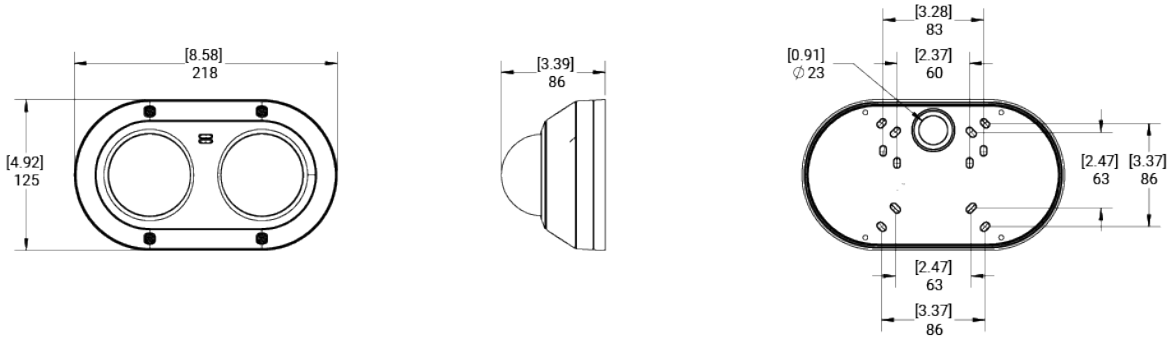
⁵ The detection range is influenced by the quality and power of the device used to create the panic alarm.

Avigilon Software Supported Features	
Avigilon Control Center™ 7.2 or higher	All supported analytic events with people and vehicles and all vehicle sub-types as classified objects. Appearance search when paired with appropriate server hardware. Supports Unusual Activity Detection. Supports H.265.
Avigilon Unity Video 8.0 or higher	All supported analytic events with people and vehicles and all vehicle sub-types as classified objects. Appearance search when paired with appropriate server hardware. Supports Unusual Activity Detection, Audio Analytics and Crowd Analytics. Supports H.265.



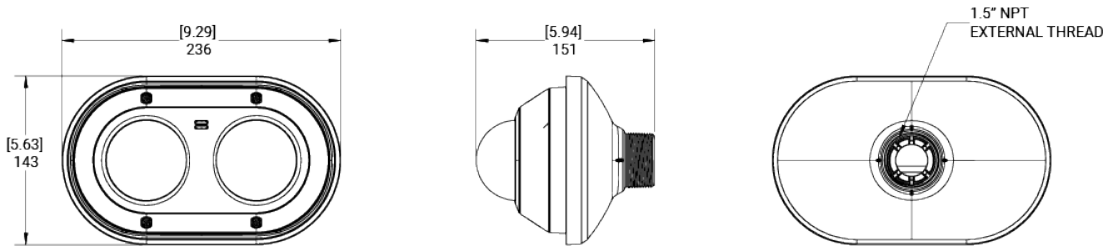
Outline Dimensions

Dual Head Camera with Provided Surface Mount (H6ADH-DO1-IR)



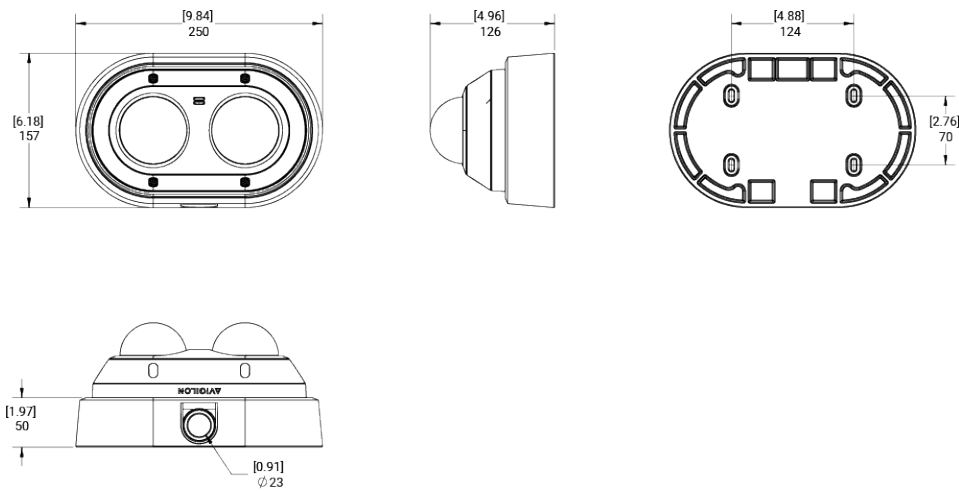
[X.X]	INCHES
X.X	MM

Dual Head Camera with NPT Adapter (H6ADH-DO1-IR Camera + NPTA-1201)



[X.X]	INCHES
X.X	MM

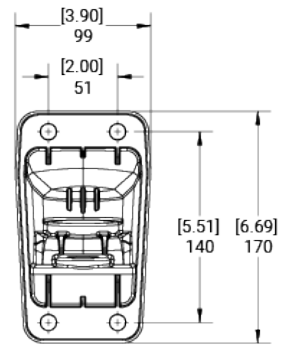
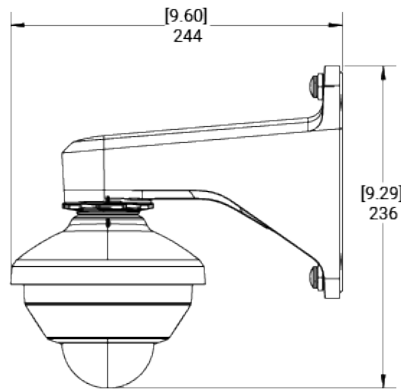
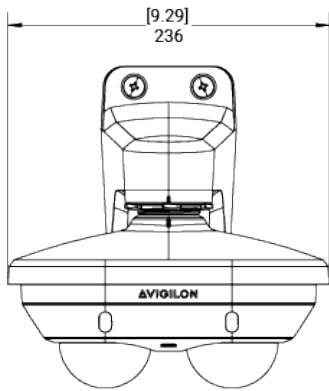
Dual Head Camera with Junction Box Mount (H6ADH-DO1-IR Camera + JBOX-1201)



[X.X]	INCHES
X.X	MM



H6A Dual Head Camera with Pendant Mount
 (H6ADH-DO1-IR Camera + NPTA-1201 + WLMT-1021)



[X.X]	INCHES
X.X	MM



Ordering Information

Models	Resolution	WDR	LightCatcher	Lens	IR	Analytics	HDSM SmartCodec	Microphone
6.0C-H6ADH-DO1-IR	2 x 3.0	✓	✓	3.24 - 7.33 mm	✓	✓	✓	✓
10.0C-H6ADH-DO1-IR	2 x 5.0	✓	✓	3.24 - 7.33 mm	✓	✓	✓	✓
16.0C-H6ADH-DO1-IR	2 x 8.0	✓	✓	3.24 - 7.33 mm	✓	✓	✓	✓

Accessory Part Numbers	
NPTA-1201	Pendant NPT Adapter
WLMT-1021	Pendant wall arm, 1.5" NPT female, 20 cm (7.8") long
JBOX - 1201	Optional junction box mounting adapter
DMSLD-1201	Weathershield for dual head cameras
PLMT-1001	Pole mount adapter
CRNMT-1001	Corner mount adapter
CAM-AA-GUNSHOT2	Camera Gunshot Audio Analytics Channel, one per camera
CAM-AA-GUNSHOT2-180D	Camera Gunshot Audio Analytics Channel, 180 day demo license. Contact Technical Support
USB-AC56-NA-MSI	USB WiFi Adapter (North America)
USB-AC56-EU-MSI	USB WiFi Adapter (Europe)



Support

For product support, visit: [avigilon.com](https://www.avigilon.com) or sales@avigilon.com

To learn more, visit: www.avigilon.com



Motorola Solutions, Inc. 500 West Monroe Street, Chicago, IL 60661 U.S.A. [motorolasolutions.com](https://www.motorolasolutions.com)

© 2026, Avigilon Corporation. All rights reserved. MOTOROLA, MOTO, MOTOROLA SOLUTIONS and the Stylized M Logo are trademarks or registered trademarks of Motorola Trademark Holdings, LLC and are used under license. All other trademarks are the property of their respective owners.

20260417-en Rev 9